

MSD-H Series

Manual Service Disconnect Technical

Specification

MSD-HT

INTRODUCTION

- * Designed for high-voltage circuit system maintenance and short-circuit protection;
- * Provides safety and reliability assurance for maintenance operations of electric vehicle power systems, serving both as a maintenance disconnect switch and short-circuit protection device;
- * Switch current rating can be conveniently configured by selecting different fuse specifications;
- * Built-in signal control pins with highly reliable redundant design;
- * Optimized thermal management design effectively extends fuse service life;
- * Dual-channel design effectively reduces temperature rise;
- * Multiple fuse ratings available for selection;
- * Flexible mounting options available: front mounting or rear mounting.



TECHNICAL SPECIFICATIONS

■ Environmental Performance

- ◆ Operating Temperature: -40°C to +85°C
- ◆ Flammability Rating: UL94 V-0
- ◆ Protection Rating: IP67 (Mated Condition)

■ Mechanical Performance

- ◆ Service life: ≥ 500 cycles

■ Electrical performance

- ◆ Rated current: Determined by fuse specification, with a maximum fuse rating of 630A.
- ◆ Rated voltage: 1000V DC (fuse), 1500V DC (direct copper busbar connection, without fuse)
- ◆ Dielectric withstand voltage: 5000V DC
- ◆ Insulation resistance: ≥ 5000 M

ORDERING CODE

MSD-H T XXX - X -F
 (1) (2) (3) (4) (5)

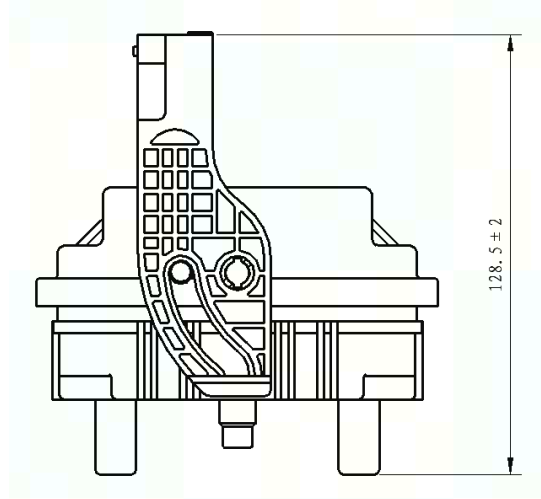
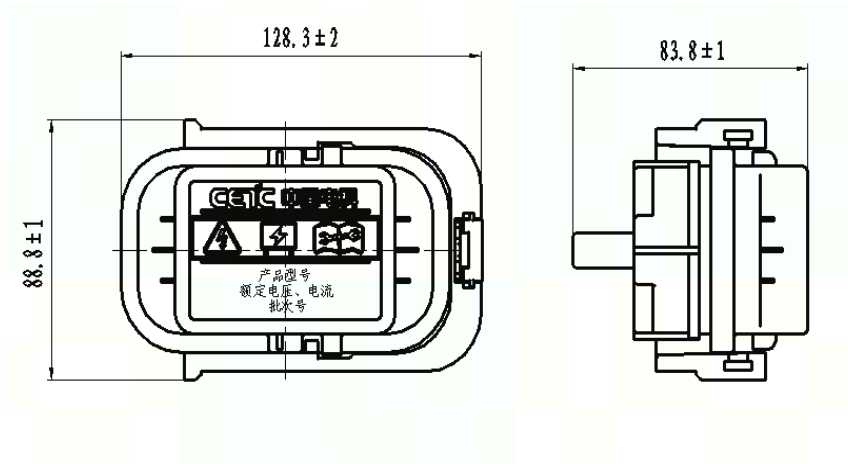
- (1) —Product Series: Indicates the 1000V series manual service disconnect (MSD).
 (2) —Product Type:T – Plug, Z – Receptacle
 (3) —Fuse Rated Current (Plug only):
 160A, 200A, 250A, 315A, 350A, 400A, 450A, 500A, 550A, 630A
 (4) —Fuse Brand (Plug only):1 – Bussmann, 4 – YouRong
 (5) —Mounting Type (Receptacle only):R – Rear Mount, F – Front Mount

Remarks:

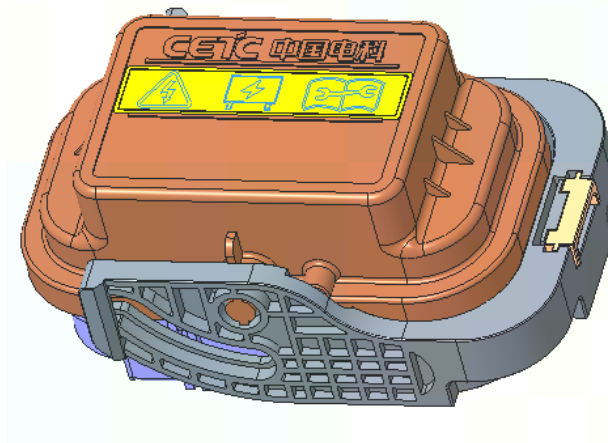
1. Signal terminals are shipped as standard accessories without wires. If wiring is required, please consult our technical team for the specific model configuration.
2. The recommended continuous operating current is 0.3–0.4 times the rated current, and the cable current density should not exceed 3A/mm².
3. Recommended tightening torque:
 M8 thread: 13.4 ± 0.5 N·m
 M6 thread: 8 ± 0.5 N·m
4. Receptacles are supplied with dust caps by default. Signal terminals are packed separately, with 0.5 mm² wires connected at the terminal tail.

MSD-HT-XXX-X (MSD Plug)

Outline Dimension Drawing (unit: mm):

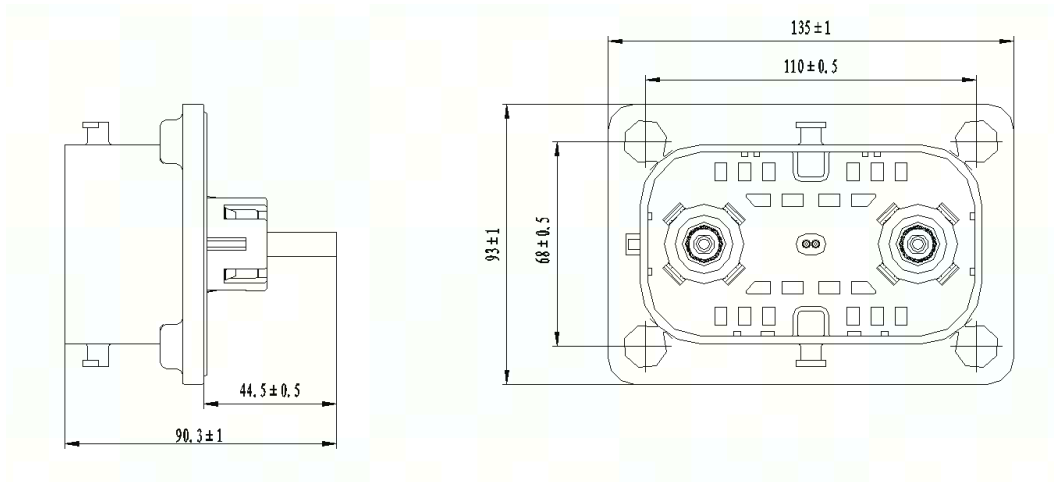


3D View

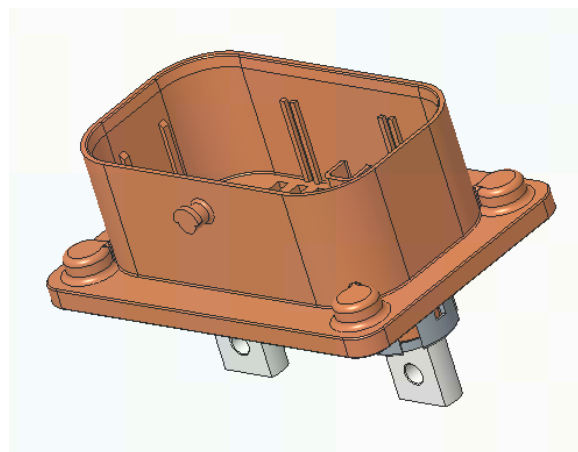
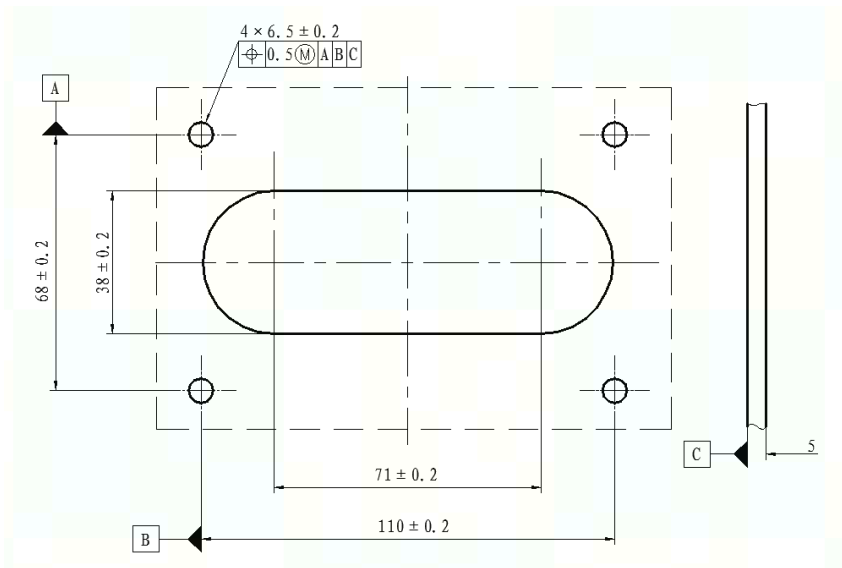


MSD-HZ-F (MSD Front-Mount Receptacle)

Outline Dimension Drawing (unit: mm):

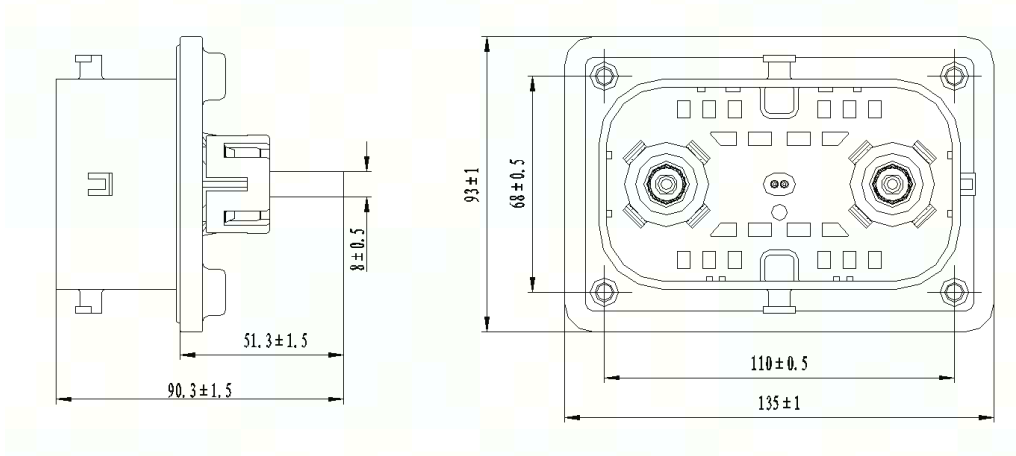


Recommended Panel Cutout Dimensions

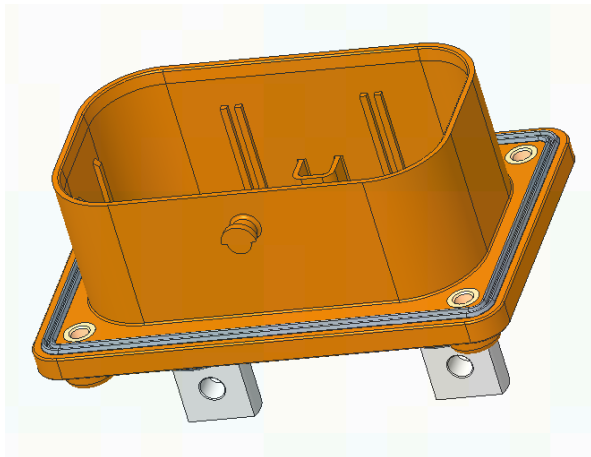
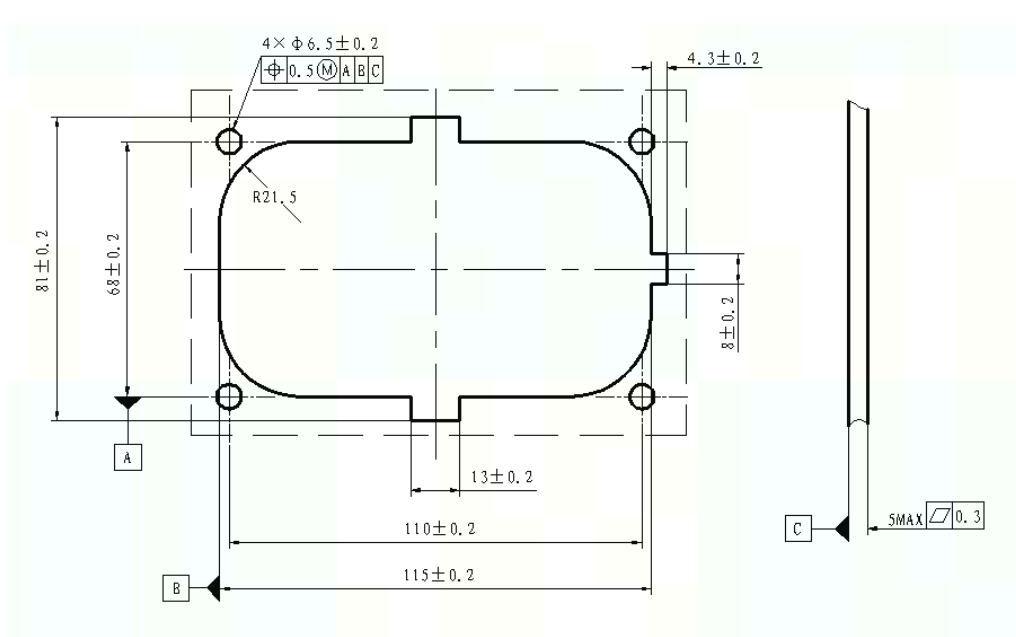


MSD-HZ-R (MSD Rear-Mount Receptacle)

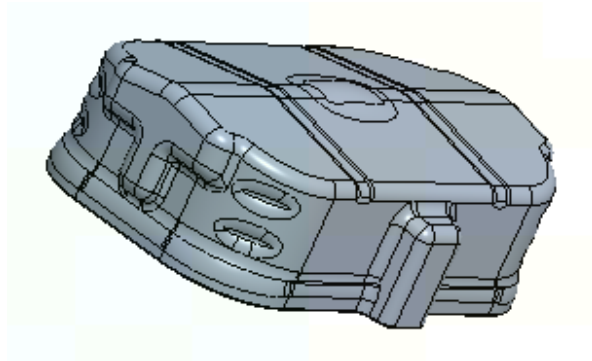
Outline Dimension Drawing (unit: mm):



Recommended Panel Cutout Dimensions



Dust Cap Illustration



Contact Illustration

